

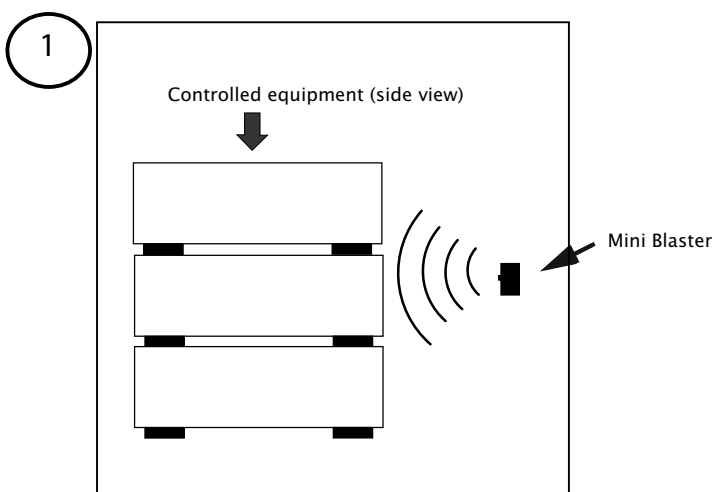
MINI BLASTER

The Mini Blaster is intended to reproduce infrared signals from the original handheld remote control. It provides a powerful output of similar power to a handheld remote control so that it does not need to be physically attached to the equipment it is controlling. In a situation where only one channel of your distribution system is required and all equipment is within 'optical proximity' within a cabinet, the Mini Blaster is ideal.

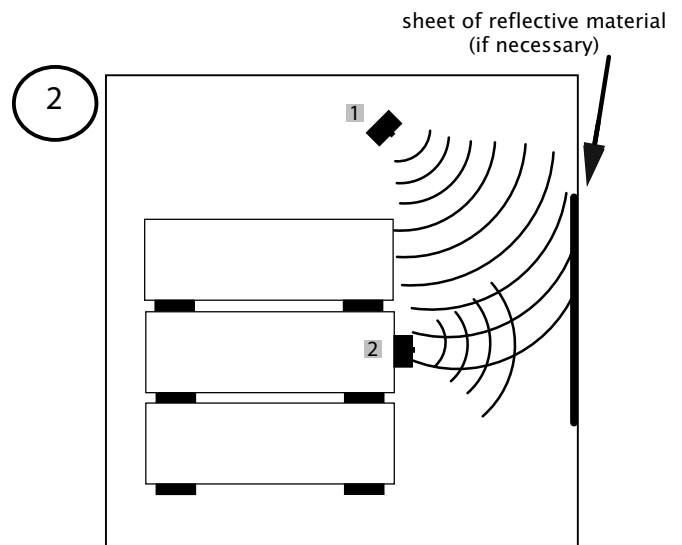
Mini Blasters can be networked to a distribution hub in a multi-room installation or used in stand-alone mode (no distribution hub installed) for local repeating. Mini Blasters are supplied pre-assigned for Ch-A since they are only used in a single channel situation. If you do need to re-assign to Ch-B please refer to the last diagram in these instructions.

Note: Commanding equipment is not possible if the equipment is receiving direct signals from your handheld remote control as well as simultaneously relayed signals. This would occur if a local IR receiver (assigned to the same channel) feeds signals into the system, and these signals are subsequently re-created by the Mini Blaster in the same room. The equipment is unable to decode signals from both sources. If the local IR receiver is for the purpose of controlling equipment located in an entertainment cabinet and therefore hidden from view of your remote control, then this situation should not occur anyway. Otherwise, if the local IR receiver is for the purpose of controlling equipment in another room, make sure it is assigned to a different channel.

SUGGESTED MOUNTING OPTIONS

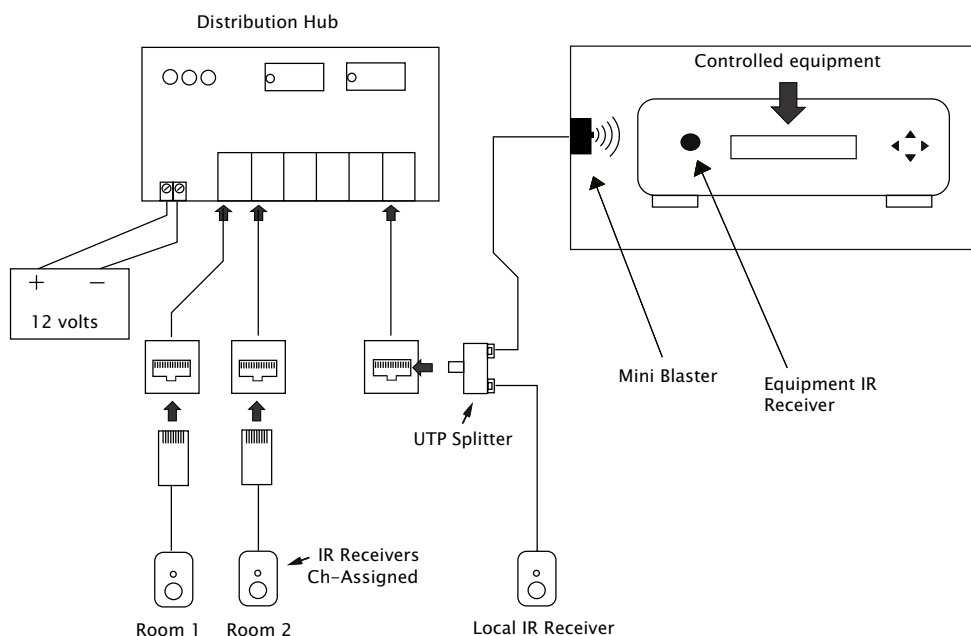


1
Stuck on front inner wall of cabinet
In View of equipments IR Receivers

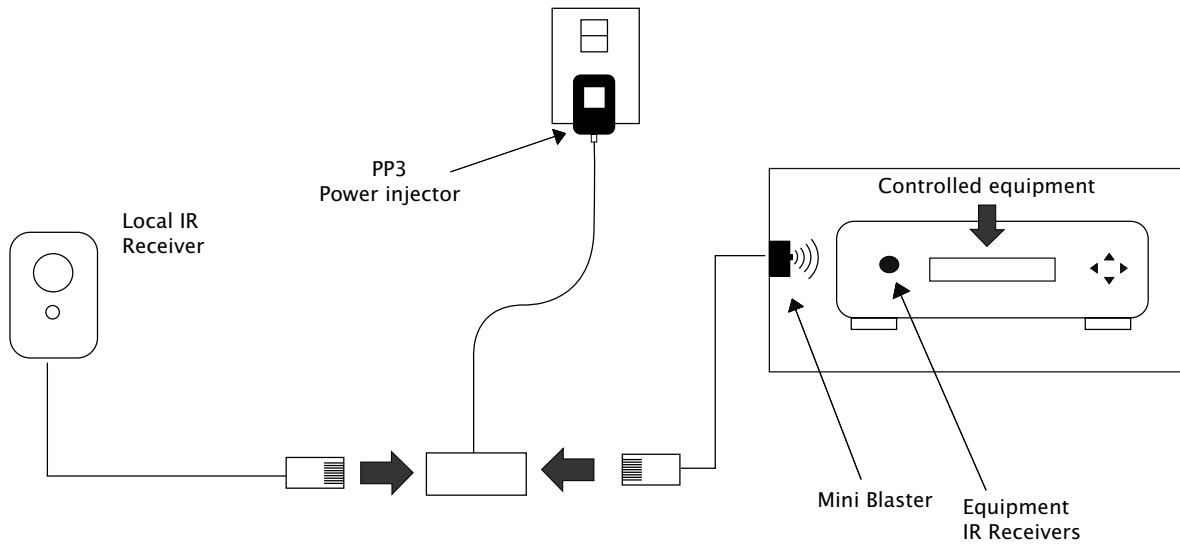


2
1. Stuck on an angle to allow reflected light signals to enter equipments IR receivers.
2. Stuck on a blank part of the equipments front panel directed forward to reflective surface (Make sure it does not cover the equipments own IR receiver!)

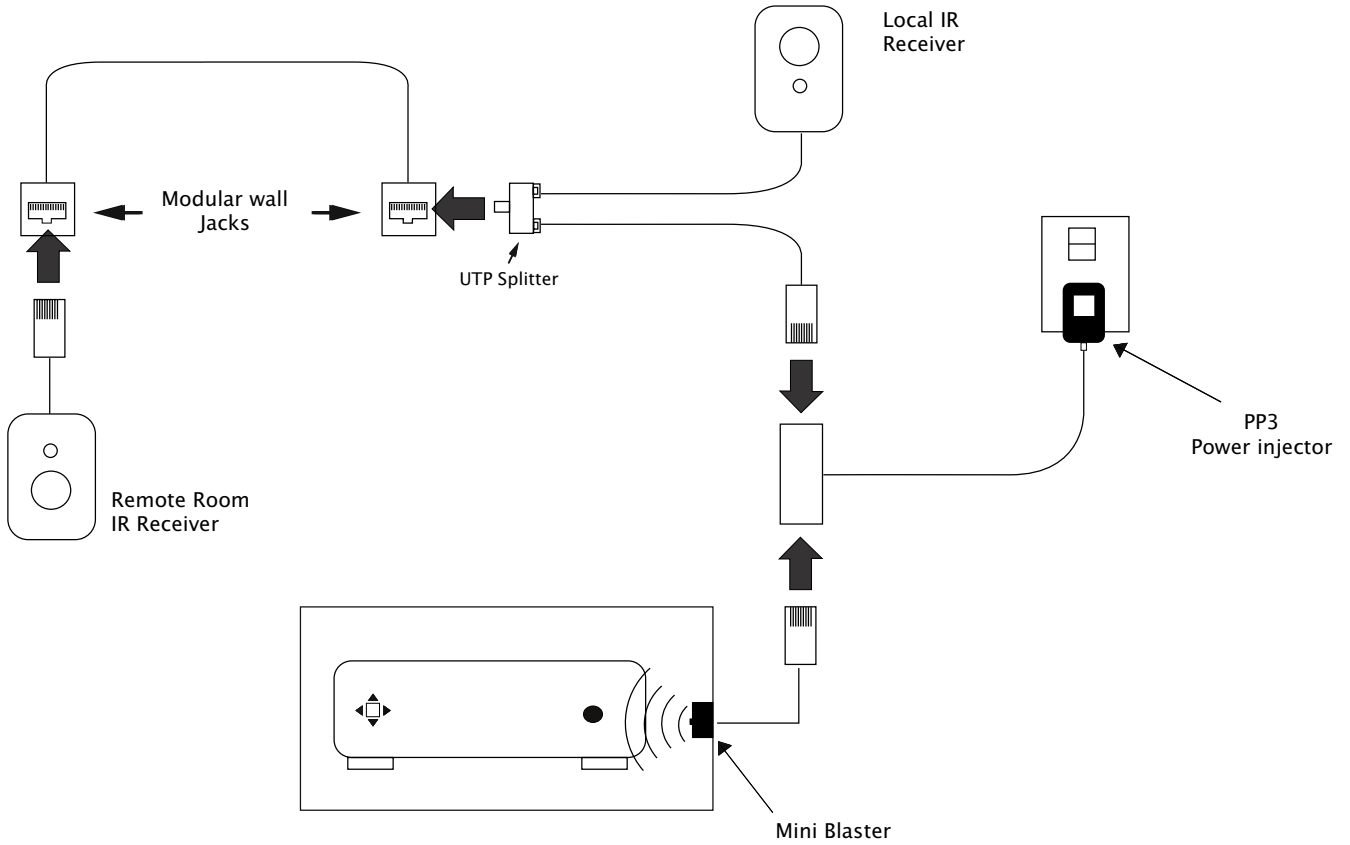
SINGLE CHANNEL MULTI-ROOM INSTALLATION



LOCAL REPEATING USING THE MINI BLASTER



ONE REMOTE ROOM + LOCAL IR REPEATER



END VIEW OF RJ45 PIN CONNECTIONS (DEFAULT ASSIGNMENT IS CH-A)

